

VOLTA

INDUSTRIES CANADA

LED BACKLIT 2x2 PANEL LIGHT



Project	
Date	
Type	
Model #	FP-22WS40P3C-3

OVERVIEW

The Volta 2x2 LED Panel Light offers versatile, energy-efficient lighting for both commercial and residential spaces. With selectable wattages of 30W, 35W, and 40W, and color temperatures of 3500K, 4000K, and 5000K

PRODUCT HIGHLIGHTS

- All Metal housing with a plastic lens
- Intertek and DLC Premium listed
- 0-10V dimming
- Post-painted white aluminum frame to fit any decor
- Resists UV-yellowing

ELECTRICAL SPECIFICATIONS

Input Voltage	AC100-347V	System Power	30W/35W/40W
----------------------	------------	---------------------	-------------

LIGHTING INFORMATION

Lamp Type	LED	Luminous Efficacy	125Lm/W
Viewing Angle	120 degrees	Color Temperature	3500K/4000K/5000K

EXTERNAL & MECHANICAL SPECIFICATIONS

Housing Material	Metal	Operation Temperature Range	0c to 45c
Housing Color	White	Lens Type	Anti Glare Plastic
Dimension (inch/mm)	602mm(W) x602mm (H)	Installation Method	Ceiling Mount, Suspended Installation
Weight	2.22 kg	Warranty	5 years

APPROVALS & LISTINGS

Safety Compliance	Intertek Listed	Approved Locations	Damp locations
--------------------------	-----------------	---------------------------	----------------



1. Due to the special conditions of manufacturing, the typical data of optical specifications can only reflect statistical figures and do not necessarily correspond to the actual parameters of each single product which could differ from the typical data.

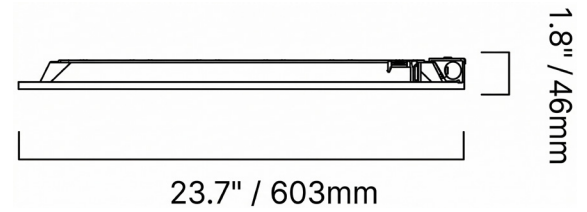
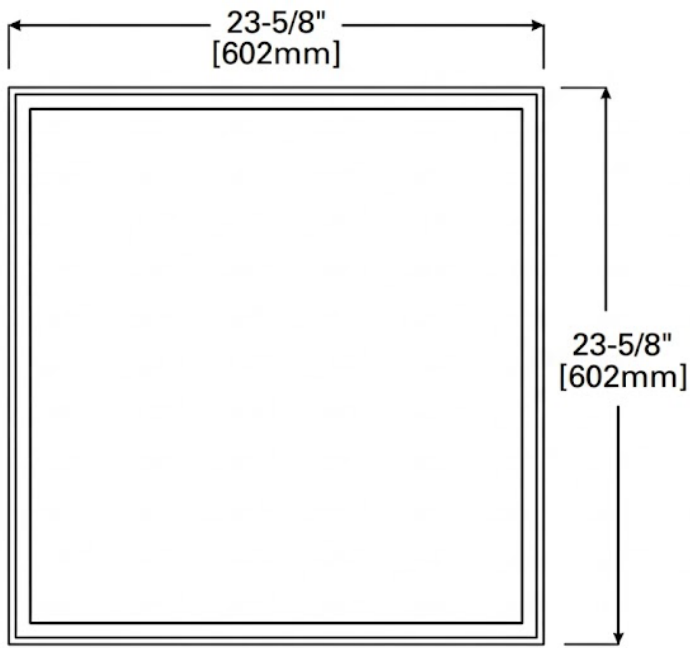
2. Exceeding maximum ratings for input voltage and current will cause hazardous overload and will likely destroy the LED fixture.

Specifications and dimensions subject to change without notice.

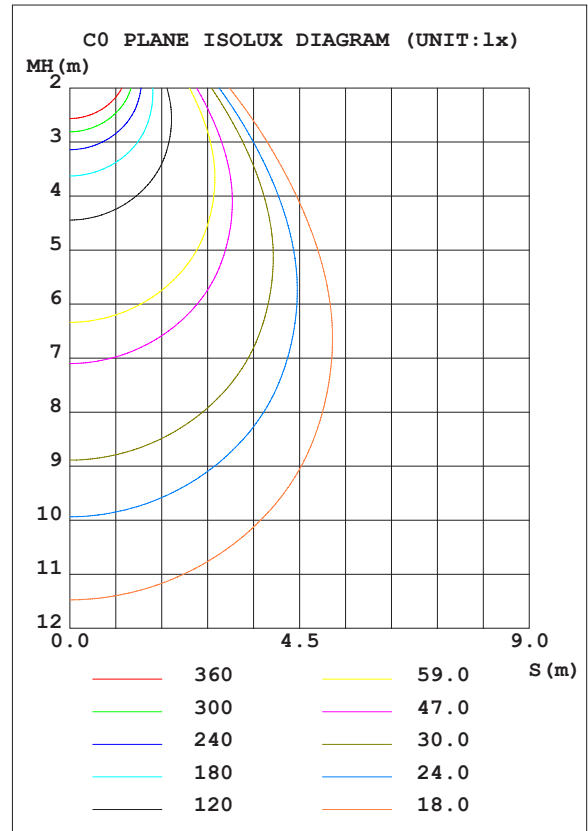
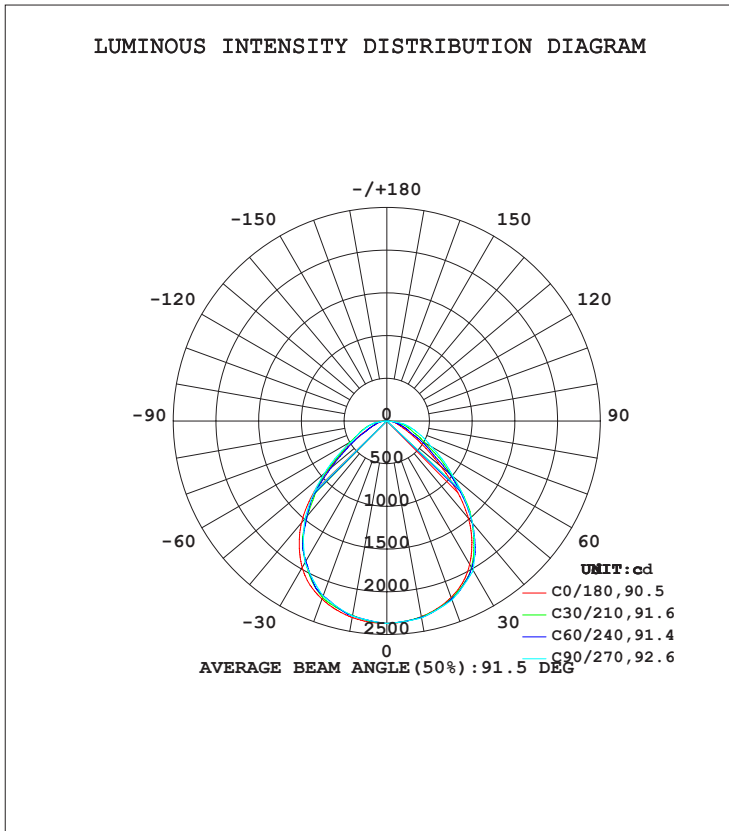
Suite 169 - 9768 170 St
Edmonton AB
T5T 5L4

voltaindustries.ca

DIMENSIONS



PHOTOMETRIC DATA



1. Due to the special conditions of manufacturing, the typical data of optical specifications can only reflect statistical figures and do not necessarily correspond to the actual parameters of each single product which could differ from the typical data.
2. Exceeding maximum ratings for input voltage and current will cause hazardous overload and will likely destroy the LED fixture.

Specifications and dimensions subject to change without notice.

Suite 169 - 9768 170 St
Edmonton AB
T5T 5L4

voltaindustries.ca